

Name:

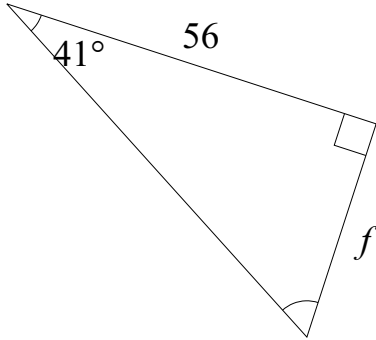
Class/Set:

# Remove Starter 1st March Choose Sin, Cos or Tan

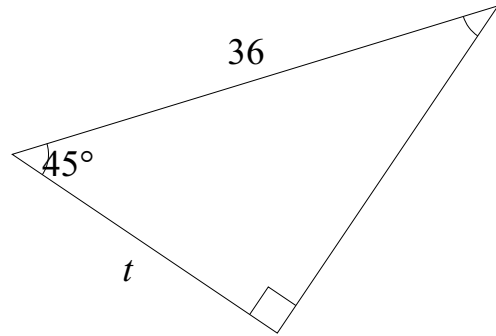
Malvern College

1: Find the unknown quantity (correct to 1 decimal place):

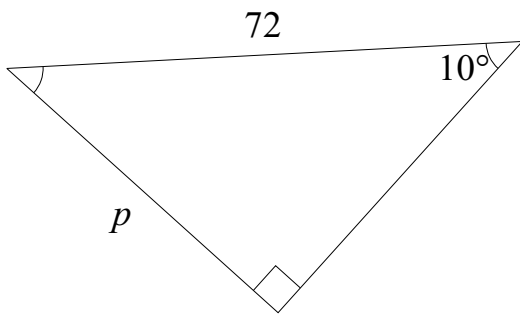
a)



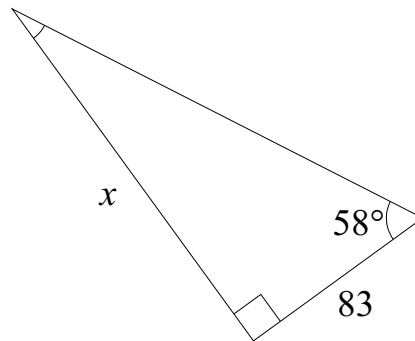
b)



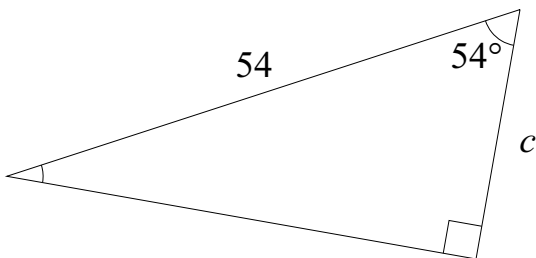
c)



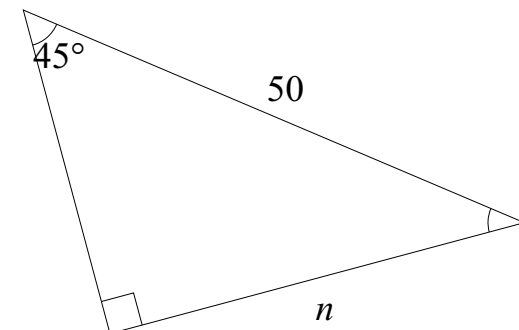
d)



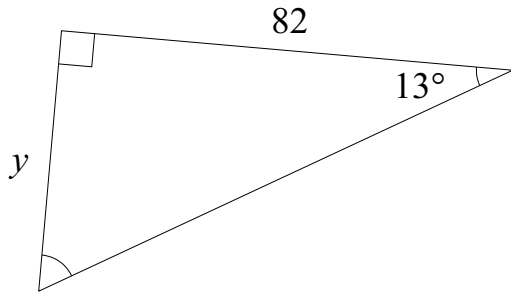
e)



f)

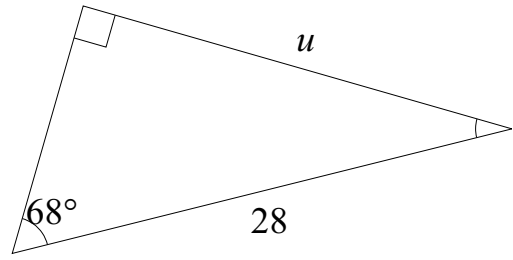


g)



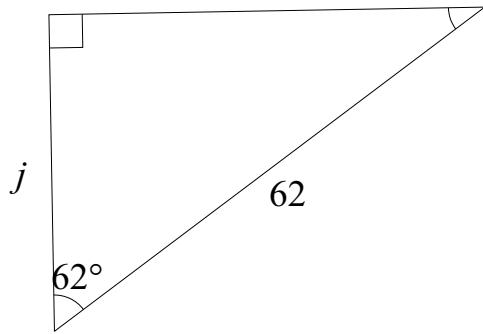
\_\_\_\_\_

h)



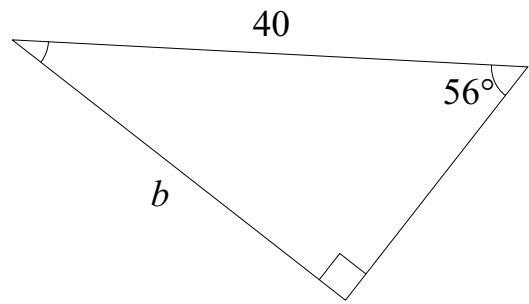
\_\_\_\_\_

i)



\_\_\_\_\_

j)



\_\_\_\_\_