

Name:

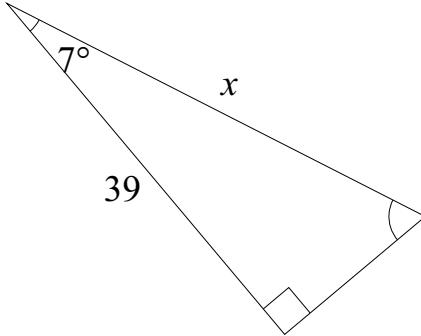
Class/Set:

Remove Starter 9th March

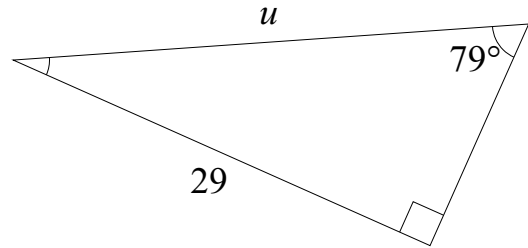
Malvern College

1: Find the unknown quantity (correct to 1 decimal place):

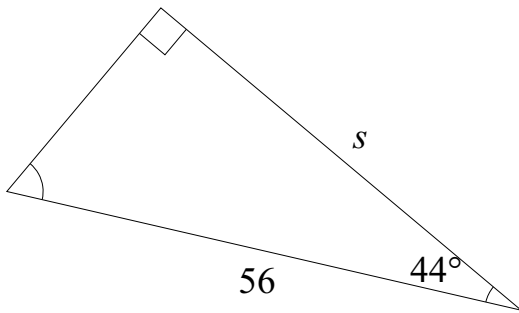
a)



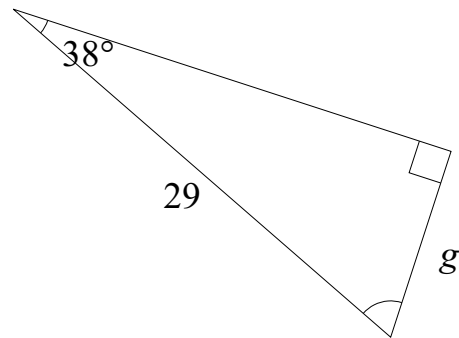
b)



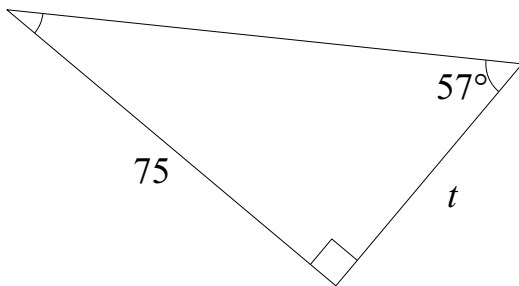
c)



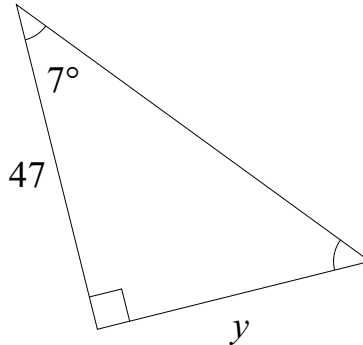
d)



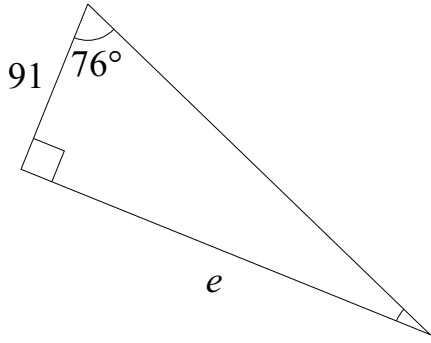
e)



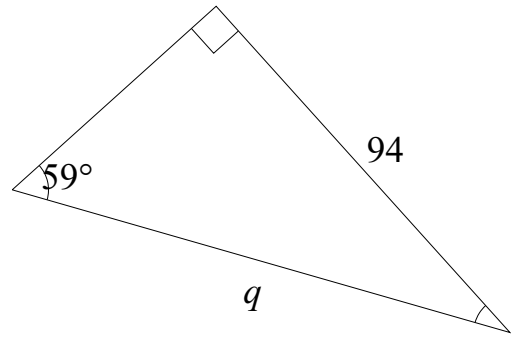
f)



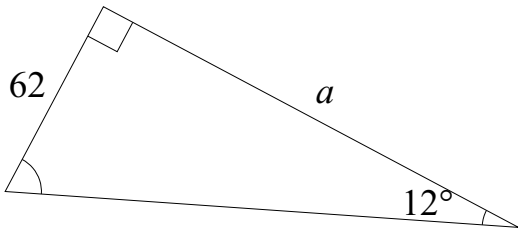
g)



h)



i)



j)

